

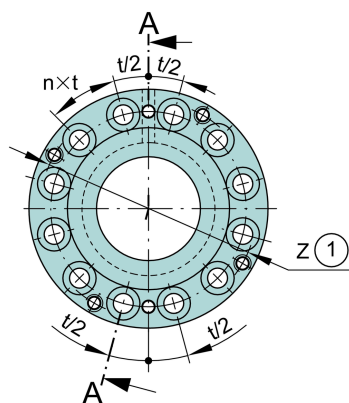
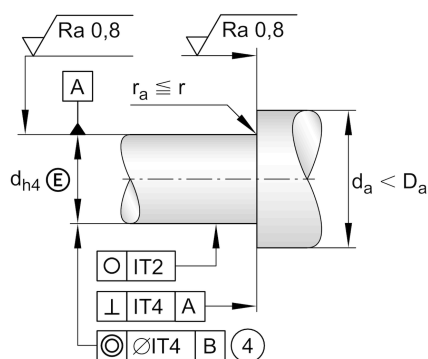
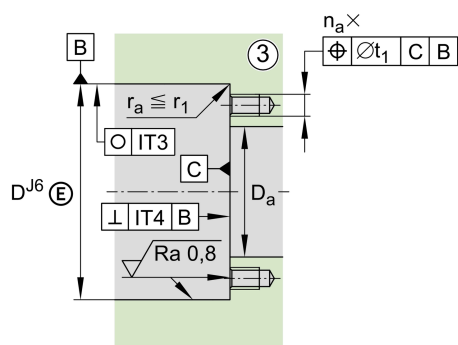
ZARF50115-TV

Needle roller/axial cylindrical roller bearing

Schaeffler ID:
0016826280000

Needle roller/axial cylindrical roller bearings ZARF, double direction, for screw mounting

Technical information

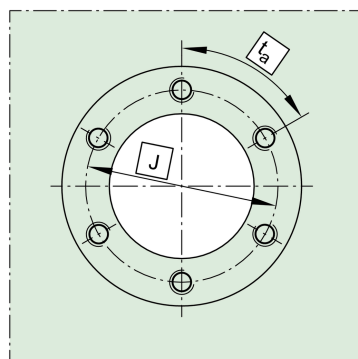
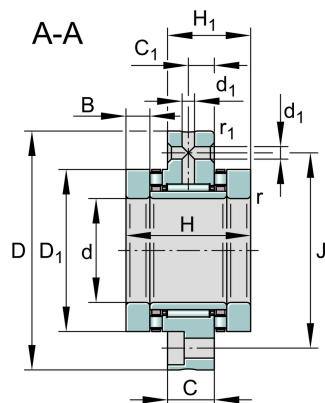


Main Dimensions & Performance Data

d	50 mm	Bore diameter
D	115 mm	Outside diameter
H	60 mm	Height
C_r	40,000 N	Basic dynamic load rating, radial
C_{0r}	82,000 N	Basic static load rating, radial
C_a	90,000 N	Basic dynamic load rating, axial
C_{0a}	300,000 N	Basic static load rating, axial
C_{ur}	11,500 N	Fatigue load limit, radial
C_{ua}	28,000 N	Fatigue load limit, axial
$n_{G \text{ Grease}}$	1,200 1/min	Limiting speed for grease lubrication
$n_{G \text{ Oil}}$	3,600 1/min	Limiting speed for oil lubrication
M_{RL}	2.2 Nm	Bearing friction torque
	1.861 kg	Weight

Dimensions

H_1	40 mm	Height outer ring over wave washer
c_{aL}	4,800 N/μm	Rigidity axial
c_{kL}	2,470 Nm/mrad	Tilting stiffness
C	22.5 mm	Width, outer ring
	1 μm	Axial runout
C_1	12.5 mm	Distance to lubrication hole
D_1	78 mm	Rip diameter shaft washer
M_A	85 Nm	Tightening torque nut
	18,410 N	Preload force axial
B	11.5 mm	Width, inner ring
r_{min}	0.3 mm	Minimum chamfer dimension
$r_{1 min}$	0.6 mm	Minimum chamfer dimension
d_1	6 mm	Diameter lubrication hole
J	94 mm	Pitch circle diameter (holes)
$n \times t$	30 °	Split
t_1	0.2 mm	Position bore in the housing



Mounting dimensions

$D_{a \max}$	79 mm	Maximum diameter of housing shoulder
$d_{a \min}$	67 mm	Minimum diameter shaft shoulder
	ZMA50/75	Locknut 1
	AM50	Locknut 2
n	12	Number (screwing holes)
	M8	Screw size
M_M	8.42 kg * cm ²	Mass moment of inertia
n	12	Number of screws
na x ta	30 °	Division (screwing holes)